



## Features:

- ✧ Up to 25Gb/s data rate
- ✧ Operating case temperature of 0~70 °C
- ✧ Single 3.3V supply voltage
- ✧ BER better than 10<sup>-15</sup>
- ✧ Hot pluggable
- ✧ RoHS 6 compliant
- ✧ Supports IEEE 802.3by
- ✧ SFF-8402 compliant Tested in an end-to-end system

## Description:

The OP30Tx passive copper cable is a high speed, cost-effective 25Gbp/s Ethernet connectivity solution designed to meet the growing needs for higher bandwidth in datacenters.

The OP30Tx passive copper cable contains a single high-speed copper pair, operating at data rates of up to 25 Gb/s. The cables are compliant with IEEE P802.3by Ethernet standard and SFF-8402 SFP28 standard. Each SFP28 connector comprises an EEPROM providing product information which can be read by the host system.

OPWAY's unique quality passive copper cable solutions provide efficient connectivity for short distance interconnects. It enables higher port bandwidth, density and configurability at a low cost and reduced power requirement in the data centers. Rigorous production testing ensures the best out-of-the-box installation experience, performance, and durability.

## ● Recommended Operating Environment:

Parameter	Symbol	Min.	Typical	Max.	Unit
Storage Temperature		-40		+85	°C
Operating Case Temperature	T <sub>c</sub>	0		+70	°C
Power Supply Voltage	V <sub>CC3</sub>	3.14	3.3	3.47	V

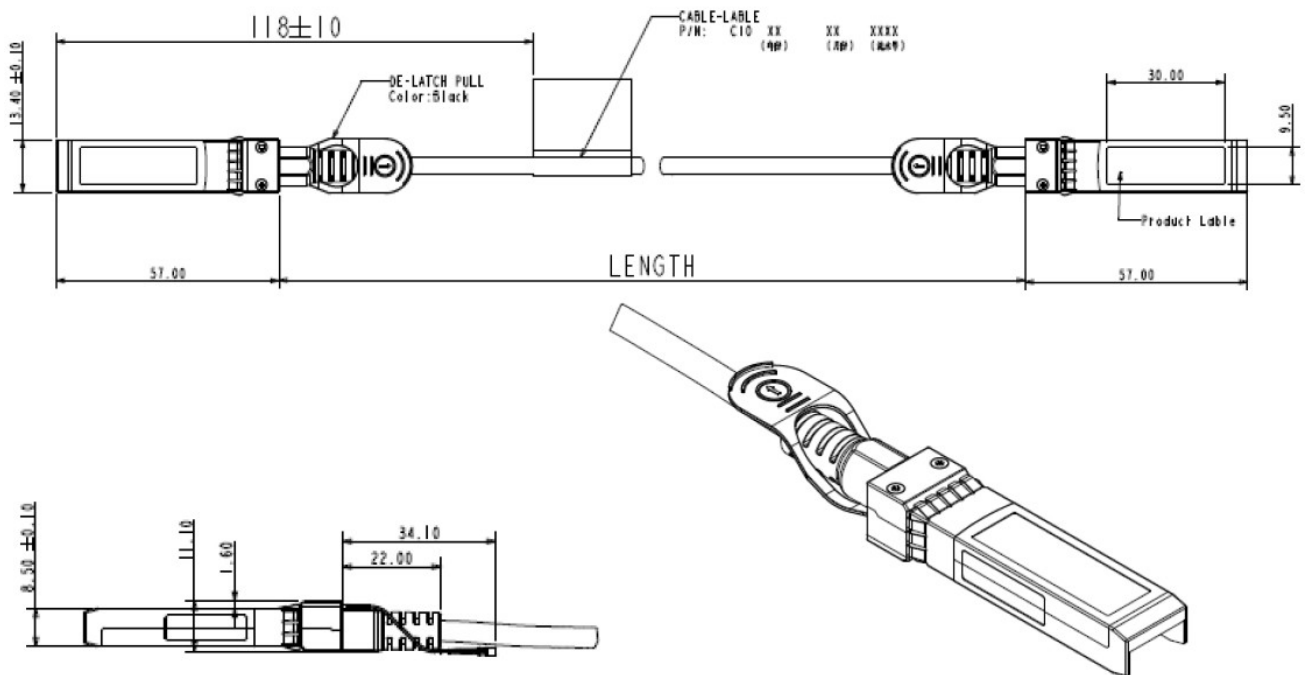
## Shenzhen Opway Communication Co., Ltd.

3F, Building 5, Section 2, Baiwangxin High-tech Industrial Park, 1002 Songbai Rd.,  
Nanshan, Shenzhen, Guangdong, China 518000  
Tel: +86-755-86000306 Fax: +86-755-86000825  
E-mail: info@opwaytech.com <http://www.opwaytech.com>

● Electrical Specifications

Parameter	Minimum	Typical	Maximum	Units
Characteristic Impedance	90	100	110	$\Omega$
Time Delay	---	---	4.5	ns/m

● Mechanical Dimensions:



## Ordering information

Part number	Length	AWG	Diameter	Minimum Bend Results	Length Tolerance	Cable Color	Description
OP30T0.5	0.5m	30	4.5 ±0.2 (PVC)	Single bend: 22.5mm Repeated bend: 45mm	±25	Black	Passive Copper cable, ETH, up to 25Gb/s, SFP28, 0.5m, 30 AWG
OP30T1	1m						Passive Copper cable, ETH, up to 25Gb/s, SFP28, 1m, 30 AWG
OP30T2	2m						Passive Copper cable, ETH, up to 25Gb/s, SFP28, 2m, 30 AWG
OP30T3	3m	28	4.7±0.3mm (PVC)	Single bend: 23.5mm Repeated bend: 47mm	±50		Passive Copper cable, ETH, up to 25Gb/s, SFP28, 3m, 28 AWG
OP30T5	5m	26	5.2 ±0.3 mm (PVC)	Single bend: 26mm Repeated bend: 52mm			Passive Copper cable, ETH, up to 25Gb/s, SFP28, 5m, 26 AWG

OPWAY reserves the right to make changes to the products or information contained herein without notice. No liability is assumed as a result of their use or application. No rights under any patent accompany the sale of any such products or information.

Published by Shenzhen OPWAY Communication Co., Ltd.

Copyright © OPWAY

All Rights Reserved