



Features:

- ✧ Support for multi-gigabit data rates up to 10.5Gbps
- ✧ Data rates backward compatible to 1Gbps
- ✧ Hot-pluggable SFP 20 PIN footprint
- ✧ Copper link length up to x (x=0.5~15m)
- ✧ I/O Connector designed for high speed

differential signal applications

- ✧ Improved Pluggable Form Factor (IPF) compliant for enhanced EMI/EMC performance
- ✧ Compatible to SFP+ MSA
- ✧ Temperature Range: 0~70°C
- ✧ RoHS compliant

Applications:

- ✧ High capacity I/O in Storage Area Networks, Network Attached Storage, and Storage Servers
- ✧ Switched fabric I/O such as ultra high bandwidth switches and routers
- ✧ Data center cabling infrastructure
- ✧ High density connections between networking equipment

● Ordering Information

Part Number	Description
OP39Tx	SFP+ Passive Direct Attach Copper Cable Assembly, x (x=0.5~15m)

Description:

The SFP+ passive cable assemblies are high performance, cost effective I/O solutions for 10G Ethernet and 10G Fibre Channel applications. SFP+ copper modules allow hardware manufactures to achieve high port density, configurability and utilization at a very low cast and reduced power budget. The high speed cable assemblies meet and exceed Gigabit Ethernet and Fibre Channel industry standard requirements for performance and reliability.

● Recommended Operating Environment:

Parameter	Symbol	Min.	Typical	Max.	Unit
Storage Ambient Temperature		-40		+85	°C
Operating Case Temperature	Tc	0		+70	°C

Shenzhen Opway Communication Co., Ltd.

● Pin Function Definitions

PIN #	Name	Function	Notes
1	VeeT	Module transmitter ground	Note 1
2	Tx Fault	Module transmitter fault	Note 2
3	Tx Disable	Transmitter Disable; Turns off transmitter laser output	Note 3
4	SDL	2 wire serial interface data input/output (SDA)	
5	SCL	2 wire serial interface clock input (SCL)	
6	MOD-ABS	Module Absent, connect to VeeR or VeeT in the module	Note 2
7	RS0	Rate select0, optionally control SFP+ receiver. When high, input data rate >4.5Gb/s; when low, input data rate <=4.5Gb/s	
8	LOS	Receiver Loss of Signal Indication	Note 4
9	RS1	Rate select0, optionally control SFP+ transmitter. When high, input data rate >4.5Gb/s; when low, input data rate <=4.5Gb/s	
10	VeeR	Module receiver ground	Note 1
11	VeeR	Module receiver ground	Note 1
12	RD-	Receiver inverted data out put	
13	RD+	Receiver non-inverted data out put	
14	VeeR	Module receiver ground	Note 1
15	VccR	Module receiver 3.3V supply	
16	VccT	Module transmitter 3.3V supply	
17	VeeT	Module transmitter ground	Note 1
18	TD+	Transmitter inverted data out put	
19	TD-	Transmitter non-inverted data out put	
20	VeeT	Module transmitter ground	Note 1

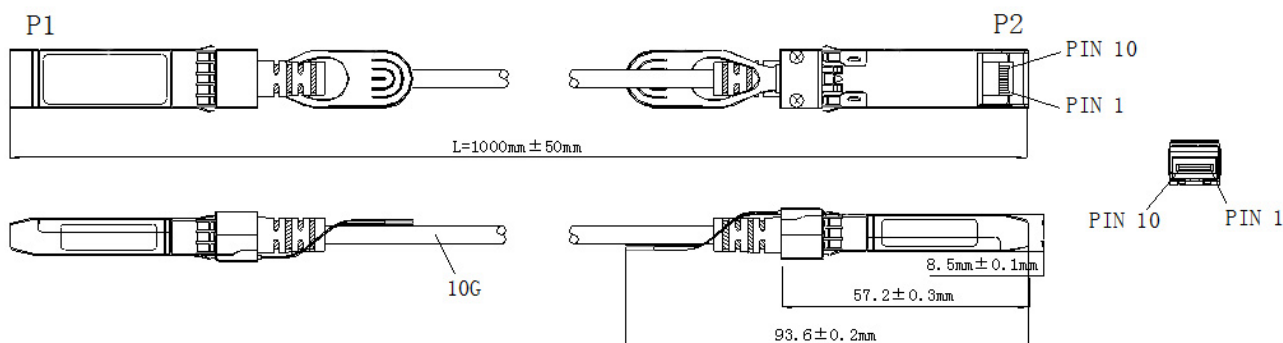
Note 1) The module ground pins shall be isolated from the module case.

Note 2) This pin is an open collector/drain output pin and shall be pulled up with 4.7K-10Kohms to Host_Vcc on the host board.

Note 3) This pin shall be pulled up with 4.7K-10Kohms to VccT in the module.

Note 4) This pin is an open collector/drain output pin and shall be pulled up with 4.7K-10Kohms to Host_Vcc on the host board.

● Mechanical Dimensions



OPWAY reserves the right to make changes to the products or information contained herein without notice. No liability is assumed as a result of their use or application. No rights under any patent accompany the sale of any such products or information.

Published by Shenzhen OPWAY Communication Co., Ltd.

Copyright © OPWAY

All Rights Reserved