



- ◇ Single +3.3V power supply
- ◇ Operating case temperature: 0~70°C
- ◇ 4x28G Electrical Serial Interface (CEI-28G-VSR)
- ◇ MDIO management interface with digital diagnostic monitoring
- ◇ Maximum power consumption 6W
- ◇ MTP/MPO optical connector
- ◇ RoHS-6 compliant

## Features

- ◇ Hot pluggable CFP4 MSA form factor
- ◇ Up to 28Gb/s data rate per channel
- ◇ Compliant to IEEE 802.3bm 100GBASE-SR4
- ◇ Up to 100m OM4 MMF transmission

## Applications

- ◇ 100GBASE-SR4 Ethernet
- ◇ OTN OTU4

## Part Number Ordering Information

OPC4E01	CFP4 SR4 100m optical transceiver with full real-time digital diagnostic monitoring and pull tab
---------	--

## 1. General Description

This product is a 100Gb/s transceiver module for optical communication applications compliant to 100GBASE-SR4 of the IEEE P802.3bm standard. The module converts 4 input channels of 25Gb/s electrical data to 4 channels of VCSEL optical signals over 4 multimode fibers for 100Gb/s optical transmission. Reversely, on the receiver side, the module receives 4 channels of VCSEL optical signals over 4 multimode fibers and then converts them to 4 output channels of electrical data.

The high speed VCSEL transmitters and high sensitivity PIN receivers provide superior performance for 100Gigabit Ethernet applications up to 100m links over OM4 multimode fibers and compliant to optical interface with IEEE802.3bm Clause 95 100GBASE-SR4 requirements.

The product is designed with form factor, optical/electrical connection and MDIO interface according to the CFP4 Multi-Source Agreement (MSA). The innovative design has all the fibers inside the CFP4 package configured without any splicing or non-permanent connector. Also, fiber routines are neatly organized and fixed inside a stainless steel container.

## 2. Functional Description

This product contains an MTP/MPO optical connector for the optical interface and a 56-pin connector for the electrical interface. Figure 1 in Section 3 shows the functional block diagram of this product.

## Transmitter Operation

The transceiver module receives 4 channels of 25Gb/s electrical data, which are processed by a 4-channel Clock and Data Recovery (CDR) IC that reshapes and reduces the jitter of each electrical signal. Subsequently, each of 4 EML laser driver IC's converts one of the 4 channels of electrical signals to an optical signal that is transmitted from one of the 4 VCSEL lasers which are packaged in the Transmitter Optical Sub-Assembly (TOSA). Each laser launches an optical signal whose characteristics are compliant to IEEE802.3bm 100GBASE-SR4 requirements. The optical output power of each channel is maintained constant by an automatic power control (APC) circuit. The transmitter output can be turned off by TX\_DIS hardware signal and/or through MDIO module management interface.

## Receiver Operation

The receiver receives 4 channels of VCSEL optical signals over 4 multimode fibers and each of the 4 channels of optical signals is fed into one of the 4 receivers that are packaged into the Receiver Optical Sub-Assembly (ROSA). Each receiver converts the optical signal to an electrical signal. The regenerated electrical signals are retimed and de-jittered and amplified by the RX portion of the 4-channel CDR. The retimed 4-lane output electrical signals are compliant with IEEE CAUI-4 interface requirements. In addition, each received optical signal is monitored by the DOM section. The monitored value is reported through the MDIO section. If one or more received optical signal is weaker than the threshold level, RX\_LOS hardware alarm will be triggered.

## MDIO Interface

The CFP4 module supports the MDIO interface specified in IEEE802.3bm Clause 45. It supports alarm, control and monitor functions via hardware pins and via an MDIO bus. Upon module initialization, these functions are available. CFP4 MDIO electrical interface consists of 6 wires including 2 wires of MDC and MDIO, as well as 3 Port Address wires, and the Global Alarm wire. MDC is the MDIO Clock line driven by host and MDIO is the bidirectional data line driven by both host and module depending upon the data directions. The CFP4 uses pins in the electrical connector to instantiate the MDIO interface as listed in Table 1. MDIO Interface Pins.

**Table 1. MDIO Interface Pins**

PIN	Symbol	Description	I/O	Logic	“H”	“L”
13	GLB_ALRMn	Global Alarm	O	3.3V LVCMOS	OK	Alarm
18	MDIO	Management Data Input Output Bi-Directional Data	I/O	1.2V LVCMOS		
17	MDC	MDIO Clock	I	1.2V LVCMOS		
19	PRTADR0	MDIO port address bit 0	I	1.2V LVCMOS	per MDIO document	
20	PRTADR1	MDIO port address bit 1	I	1.2V LVCMOS		
21	PRTADR2	MDIO port address bit 2	I	1.2V LVCMOS		

3. Transceiver Block Diagram

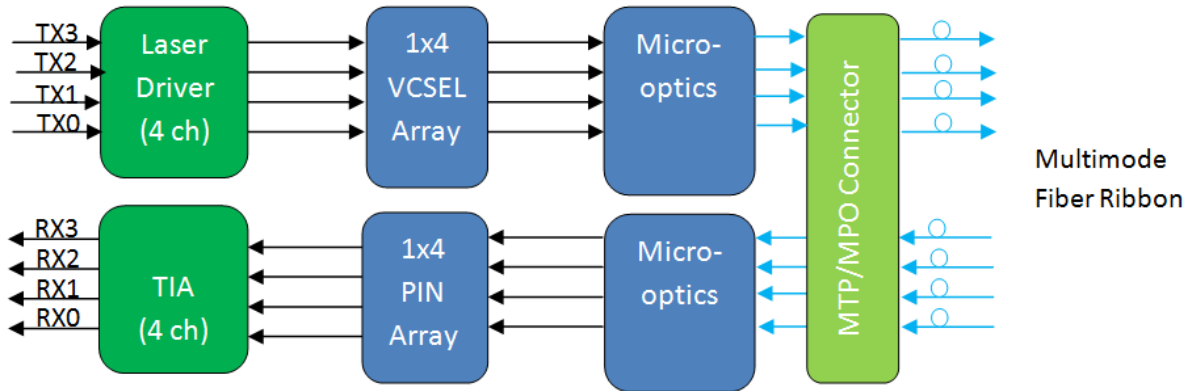


Figure 1. 100G CFP4 SR4 Transceiver Block Diagram

4. Pin Assignment and Description

The CFP4 electrical connector has 56 pins, which are arranged in top and bottom rows. The pin orientation is shown in Figure 2 and the pin map is shown in Table 2. The detailed description of the bottom side pins from pin 1 through pin 28 is shown in Table 3 while the description of the top side pins is shown in Table 4.

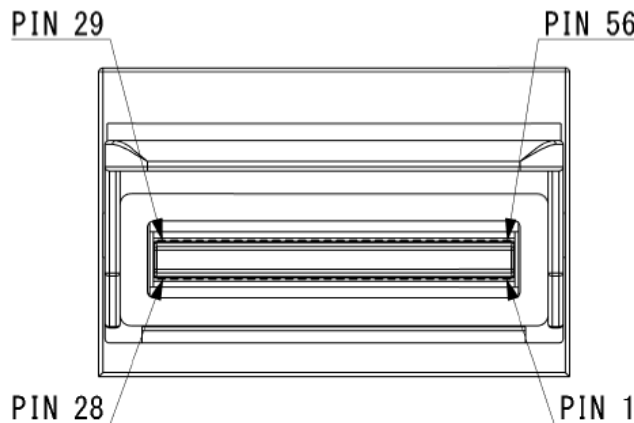


Figure 2. CFP4 Connector Pin Map Orientation

Table 2. Pin Map

CFP4 Bottom		CFP4 Top		CFP4 Top ALT1	
1	3.3V_GND	56	GND	GND	
2	3.3V_GND	55	TX3n	TX0n	
3	3.3V	54	TX3p	TX0p	

4	3.3V	53	GND	GND
5	3.3V	52	TX2n	TX1n
6	3.3V	51	TX2p	TX1p
7	3.3V_GND	50	GND	GND
8	3.3V_GND	49	TX1n	TX2n
9	VND_IO_A	48	TX1p	TX2p
10	VND_IO_B	47	GND	GND
11	TX_DIS (PRG_CNTRL1)	46	TX0n	TX3n
12	RX_LOS (PRG_ALRM1)	45	TX0p	TX3p
13	GLB_ALRMn	44	GND	GND
14	MOD_LOPWR	43	(REFCLKn)	(REFCLKn)
15	MOD_ABS	42	(REFCLKp)	(REFCLKp)
16	MOD_RSTn	41	GND	GND
17	MDC	40	RX3n	RX3p
18	MDIO	39	RX3p	RX3n
19	PRTADR0	38	GND	GND
20	PRTADR1	37	RX2n	RX2p
21	PRTADR2	36	RX2p	RX2n
22	VND_IO_C	35	GND	GND
23	VND_IO_D	34	RX1n	RX1p
24	VND_IO_E	33	RX1p	RX1n
25	GND	32	GND	GND
26	(MCLKn)	31	RX0n	RX0p
27	(MCLKp)	30	RX0p	RX0n
28	GND	29	GND	GND

REFCLK  
(Optional)

MCLK = TX\_MCLK +  
RX\_MCLK  
(Optional)

Table 3. Definition of the Bottom Side Pins from Pin 1 through Pin 28

PIN	Name	I/O	Logic	Description
1	3.3V_GND			3.3V Module Supply Voltage Return Ground, can be separated or tied together with Signal Ground
2	3.3V_GND			
3	3.3V			

4	3.3V			
5	3.3V			
6	3.3V			3.3V Module Supply Voltage
7	3.3V_GND			
8	3.3V_GND			
9	VIND_IO_A	I/O		Module Vendor I/O A. Do Not Connect
10	VIND_IO_B	I/O		Module Vendor I/O B. Do Not Connect
11	TX_DIS (PRG_CNT L1)	I	LVC MOS w/PUR	Transmitter Disable for all lanes. "1" or NC: Transmitter disabled; "0": transmitter enabled. (Optionally configurable as Programmable Control1 after Reset)
12	RX_LOS (PRG_ALR M1)	O	LVC MOS w/PUR	Receiver Loss of Optical Signal. "1": low optical signal; "0": normal condition (Optionally configurable as Programmable Alarm1 after Reset)
13	GLB_ALR Mn	O	LVC MOS	Global Alarm. "0": alarm condition in any MDIO Alarm register; "1": no alarm condition, Open Drain, Pull up Resistor on Host
14	MOD_LOP WR	I	LVC MOS w/PUR	Module Low Power Mode. "1" or NC: module in low power (safe) mode; "0": power-on enabled
15	MOD_ABS	O	GND	Module Absent. "1" or NC: module absent; "0": module present, Pull up resistor on Host
16	MOD_RSTn	I	LVC MOS w/PDR	Module Reset. "0": resets the module; "1" or NC: module enabled, Pull down Resistor in Module
17	MDC	I	1.2V CMOS	Management Data Clock (electrical specs as per IEEE Std 802.3-2012)
18	MDIO	I/O	1.2V CMOS	Management Data I/O bi-directional data (electrical specs as per IEEE Std 802.3ae-2008 and ba-2010)
19	PRTADR0	I	1.2V CMOS	MDIO Physical Port address bit 0
20	PRTADR1	I	1.2V CMOS	MDIO Physical Port address bit 1
21	PRTADR2	I	1.2V CMOS	MDIO Physical Port address bit 2
22	VND_IO_C	I/O		Module Vendor I/O C. Do Not Connect
23	VND_IO_D	I/O		Module Vendor I/O D. Do Not Connect
24	VND_IO_E	I/O		Module Vendor I/O E. Do Not Connect
25	GND			
26	(MCLKn)	O	CML	For optical waveform testing. Not for normal use
27	(MCLKp)	O	CML	For optical waveform testing. Not for normal use
28	GND			

**Table 4. Definition of Top Side Pins**

PIN	Name	PIN	Name
29	GND	43	(REFCLKp)
30	RX0p	44	GND
31	RX0n	45	TX0p
32	GND	46	TX0n
33	RX1p	47	GND

34	RX1n		48	TX1p
35	GND		49	TX1n
36	RX2p		50	GND
37	RX2n		51	TX2p
38	GND		52	TX2n
39	RX3p		53	GND
40	RX3n		54	TX3p
41	GND		55	TX3n
42	(REFCLKn)		56	GND

### 5. Optical Interface Lanes and Assignment

Figure 3 shows the orientation of the multi-mode fiber facets of the optical connector. Table 5 provides the lane assignment.

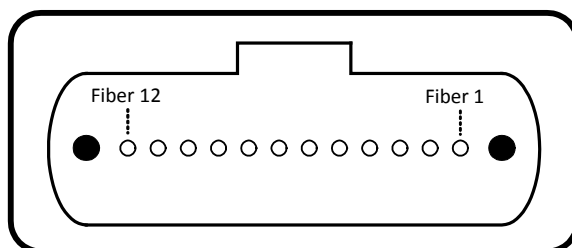


Figure 3. Outside View of the CFP4 Module MPO Receptacle

Table 5: Lane Assignment

Fiber #	Lane Assignment
1	RX0
2	RX1
3	RX2
4	RX3
5,6,7,8	Not used
9	TX3
10	TX2
11	TX1
12	TX0

### 6. Recommended Power Supply Filter

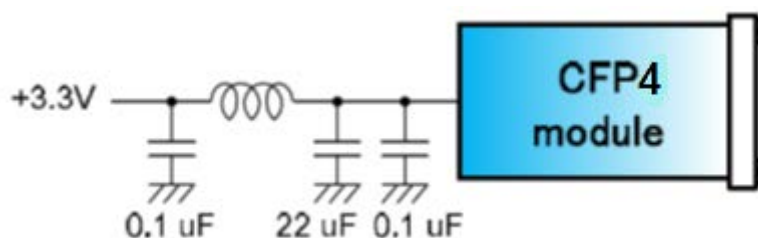


Figure 4. Recommended Power Supply Filter

### 7. Absolute Maximum Ratings

Parameter	Symbol	Min	Max	Unit	Notes
Storage Temperature	T <sub>s</sub>	-40	85	degC	
Relative Humidity (non-condensation)	RH		85	%	
Operating Case Temperature	T <sub>OP</sub>	0	70	degC	
Supply Voltage	V <sub>cc</sub>	-0.5	3.6	V	
Voltage on LVTTL Input	V <sub>lvttl</sub>	-0.5	VCC3+0.3	V	
LVTTL Output Current	I <sub>olvttl</sub>		15	mA	
Voltage on Open Collector Output	V <sub>oco</sub>	0	6	V	
Damage Threshold, each Lane	TH <sub>d</sub>	3.4		dBm	1

**Notes:**

- PIN receiver.

### 8. Recommended Operating Conditions and Supply Requirements

Parameter	Symbol	Min	Typical	Max	Unit	Notes
Operating Case Temperature	T <sub>OP</sub>	0		70	degC	
Power Supply Voltage	V <sub>CC</sub>	3.135	3.3	3.465	V	
Data Rate, each Lane			25.78125		Gbps	1
Data Rate, each Lane			27.9525		Gbps	2
Control Input Voltage High		2		V <sub>cc</sub>	V	
Control Input Voltage Low		0		0.8	V	
Power Supply Noise	V <sub>rip</sub>			2	%	DC-1MHz
				3	%	1-10MHz
Link Distance (OM3 MMF)	D1			70	m	
Link Distance (OM4 MMF)	D2			100	m	

**Notes:**

- 100GBASE-SR4.
- OUT4 with FEC.

### 9. Electrical Characteristics

The following electrical characteristics are defined over the Recommended Operating Environment unless otherwise specified.

Parameter	Symbol	Min	Typical	Max	Unit	Notes
Power Consumption				6.0	W	
Supply Current	I <sub>cc</sub>			1820	mA	

Low Power Mode Power Dissipation				1.0	W	
<b>Transmitter (each Lane)</b>						
Single-ended Input Voltage Tolerance (Note 1)		-0.3		4.0	V	Referred to TP1 signal common
AC Common Mode Input Voltage Tolerance		15			mV	RMS
Differential Input Voltage Swing Threshold		50			mVpp	LOSA Threshold
Differential Input Voltage Swing	V <sub>in,pp</sub>	190		700	mVpp	
Differential Input Impedance	Z <sub>in</sub>	90	100	110	Ohm	
<b>Receiver (each Lane)</b>						
Single-ended Output Voltage		-0.3		4.0	V	Referred to signal common
AC Common Mode Output Voltage				7.5	mV	RMS
Differential Output Voltage Swing	V <sub>out,pp</sub>	300		850	mVpp	
Differential Output Impedance	Z <sub>out</sub>	90	100	110	Ohm	
Termination Mismatch at 1MHz				5	%	

**Notes:**

1. The single ended input voltage tolerance is the allowable range of the instantaneous input signals.

**10. Optical Characteristics**

Parameter	Symbol	Min	Typical	Max	Units	Notes
<b>Transmitter</b>						
Center Wavelength	$\lambda_C$	840	850	860	nm	
RMS Spectral Width	$\Delta\lambda_{rms}$			0.6	nm	
Average Launch Power, each Lane	P <sub>AVG</sub>	-8.4		2.4	dBm	
Optical Modulation Amplitude (OMA), each Lane	P <sub>OMA</sub>	-6.4		3.0	dBm	1
Difference in Launch Power between any Two Lanes (OMA)	P <sub>tx,diff</sub>			4.0	dB	
Launch Power in OMA minus TDEC, each Lane		-7.3			dBm	
Transmitter and Dispersion Eye Closure (TDEC), each Lane				4.3	dB	
Extinction Ratio	ER	2.0			dB	
Optical Return Loss Tolerance	TOL			12	dB	



Encircled Flux		≥ 86% at 19um ≤ 30% at 4.5um				
Transmitter Eye Mask Definition {X1, X2, X3, Y1, Y2, Y3}, 5×10 <sup>-5</sup> hits/sample		{0.3,0.38,0.45,0.35,0.41,0.5}				2
Average Launch Power OFF Transmitter, each Lane	P <sub>off</sub>			-30	dBm	
<b>Receiver</b>						
Center Wavelength	λ <sub>C</sub>	840	850	860	nm	
Damage Threshold, each Lane	TH <sub>d</sub>	3.4			dBm	3
Average Receive Power, each Lane		-10.3		2.4	dBm	
Receiver Reflectance	R <sub>R</sub>			-12	dB	
Receive Power (OMA), each Lane				3.0	dBm	
Receiver Sensitivity (OMA), each Lane	SEN			-9.2	dBm	
Stressed Receiver Sensitivity (OMA), each Lane				-5.2	dBm	4
LOS Assert	LOSA	-30			dBm	
LOS Deassert	LOSD			-12	dBm	
LOS Hysteresis	LOSH	0.5			dB	
Conditions of Stress Receiver Sensitivity Test (Note 5):						
Stressed Eye Closure (SEC), Lane under Test			4.3		dB	
Stressed Eye J2 Jitter, Lane under Test			0.39		UI	
Stressed Eye J4 Jitter, Lane under Test				0.53	UI	
OMA of each Aggressor Lane			3		dBm	
Stressed receiver eye mask definition {X1, X2, X3, Y1, Y2, Y3}		{0.28,0.5,0.5,0.33,0.33,0.4}				

**Notes:**

1. Even if the TDP < 0.9 dB, the OMA min must exceed the minimum value specified here.
2. See Figure 5 below.
3. The receiver shall be able to tolerate, without damage, continuous exposure to a modulated optical input signal having this power level on one lane. The receiver does not have to operate correctly at this input power.
4. Measured with conformance test signal at receiver input for BER = 1×10<sup>-12</sup>.
5. Stressed eye closure and stressed eye jitter are test conditions for measuring stressed receiver sensitivity. They are not characteristics of the receiver.

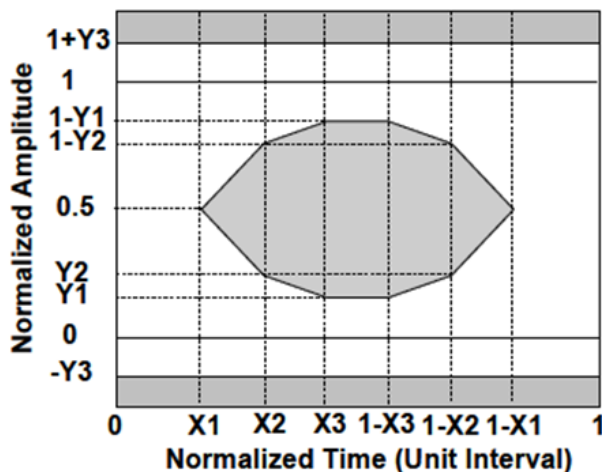


Figure 5. Eye Mask Definition

## 11. Digital Diagnostic Functions

The following digital diagnostic characteristics are defined over the Recommended Operating Environment unless otherwise specified. It is compliant to SFF-8436.

Parameter	Symbol	Min	Max	Units	Notes
Temperature monitor absolute error	DMI_Temp	-3	3	degC	Over operating temperature range
Supply voltage monitor absolute error	DMI_VCC	-0.15	0.15	V	Over full operating range
Channel RX power monitor absolute error	DMI_RX_Ch	-2	2	dB	1
Channel Bias current monitor	DMI_Ibias_Ch	-10%	10%	mA	Ch1~Ch4
Channel TX power monitor absolute error	DMI_TX_Ch	-2	2	dB	1

### Notes:

1. Due to measurement accuracy of different single mode fibers, there could be an additional +/- 1 dB fluctuation, or a +/- 3 dB total accuracy.

## 12. Mechanical Dimensions

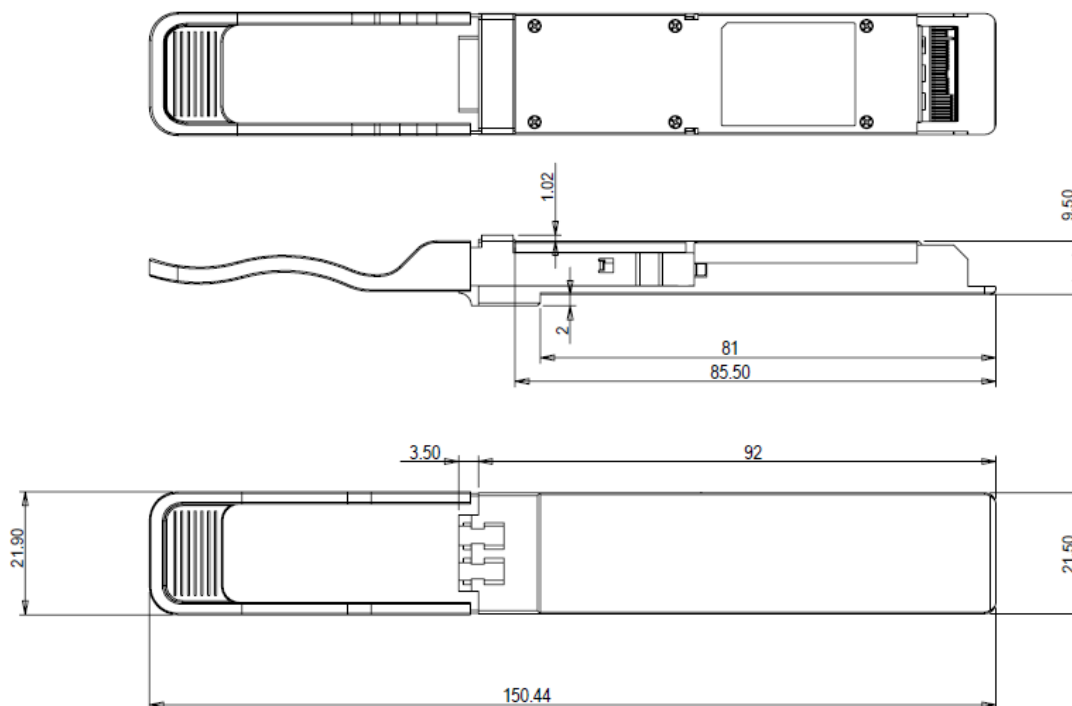


Figure 6. Mechanical Outline

### 13. ESD

This transceiver is specified as ESD threshold 2kV for all electrical input pins, tested per MIL-STD-883, Method 3015.4 /JESD22-A114-A (HBM). However, normal ESD precautions are still required during the handling of this module. This transceiver is shipped in ESD protective packaging. It should be removed from the packaging and handled only in an ESD protected environment.

### 14. Laser Safety

This is a Class 1 Laser Product according to IEC 60825-1:1993:+A1:1997+A2:2001. This product complies with 21 CFR 1040.10 and 1040.11 except for deviations pursuant to Laser Notice No. 50, dated (July 26, 2001).

OPWAY reserves the right to make changes to the products or information contained herein without notice. No liability is assumed as a result of their use or application. No rights under any patent accompany the sale of any such products or information.

Published by Shenzhen OPWAY Communication Co., Ltd.

Copyright © OPWAY

All Rights Reserved