



Features

- ✧ Supports multi-rate (100GBASE-ER4 and OTU4) from 103.1Gb/s to 111.8Gb/s aggregate; Lane bit rate 25.78 Gb/s GbE, 27.95 Gb/s OTU4
- ✧ Up to 40km transmission on SMF
- ✧ LAN WDM EML laser and PIN receiver with SOA

- ✧ High speed I/O electrical interface (CAUI-4)
- ✧ MDIO interface with integrated Digital Diagnostic monitoring
- ✧ CFP2 MSA package with duplex LC connector
- ✧ Single +3.3V power supply
- ✧ Maximum power consumption 9 W
- ✧ Operating case temperature: -5 to +70 °C
- ✧ Complies with EU Directive 2011/65/EU (RoHS 6/6)

Application

- ✧ 100GBASE-ER4

Order Information

Part No.	Data Rate	Laser	Fiber Type	Distance	Optical Interface	Temp	DDMI
OPC2E40	103.1Gbps 111.8Gbps	LAN WDM EML	SMF	40km	LC	5~70C	Y

Absolute Maximum Ratings

Parameter	Symbol	Min.	Typical	Max.	Unit	Notes
Storage Temperature	TS	-40	-	+85	°C	
Supply Voltage	VCC	-0.5	-	+4.0	V	
Operating Relative Humidity	RH	-	-	+85	%	

Recommended Operating Conditions

Parameter	Symbol	Min.	Typical	Max.	Unit	Notes
Operating Case Temperature	TC	-5	-	+70	°C	
Power Supply Voltage	VCC	3.2	3.3	3.4	V	
Power Supply Current	ICC	-	-	2.81	A	
Maximum Power Dissipation	PD	-	-	9	W	
Aggregate Bit Rate	BRAVE	-	103.125	-	Gb/s	
Lane Bit Rate	BRLANE	-	25.78	-	Gb/s	
Transmission Distance	TD		-	40	km	Over SMF

Optical Characteristics

Shenzhen Opway Communication Co., Ltd.

Parameter	Symbol	Min.	Typical	Max.	Unit	Notes
Transmitter						
Center Wavelength Lane 0	λ_0	1294.53	1295.56	1296.59	nm	
Center Wavelength Lane 1	λ_1	1299.02	1300.05	1301.09	nm	
Center Wavelength Lane 2	λ_2	1303.54	1304.58	1305.63	nm	
Center Wavelength Lane 3	λ_3	1308.09	1309.14	1310.19	nm	
Total Launch Power, 100GE	PALL	-	-	8.9	dBm	1
Average Launch Power per Lane, 100GE	PTX_LANE	-2.9	-	2.9	dBm	1
OMA per Lane, 100GE	OMA	0.1	-	4.5	dBm	1
OMA-TDP per Lane, 100GE	OMA_TDP	-	-	-	dBm	
Difference in launch power between lanes	PTX_DELTA_LANE	-	-	3.6	dB	
Total Launch Output Power, OTU4	PALL	-	-	8.9	dBm	1
Average Launch Power per Lane, OTU4	PTX_LANE	-2.9	-	2.9	dBm	1
Average Output Power (Laser Turn off)	P0UT-OFF	-	-	-30	dBm	
Side Mode Suppression Ratio	SMSR	30	-	-	dB	
Extinction Ratio, 100GE	ER	8	-	-	dB	
Transmitter and Dispersion Penalty	TDP	-	-	2.5	dB	2
Optical Return Loss Tolerance	ORLT	-	-	20	dB	
Optical Eye Mask, 100GE	Compliant with IEEE 802.3ba					2
Optical Eye Mask, OTU4	Compliant with ITU-T G.695					2
Receiver						
Center Wavelength Lane 0	λ_0	1294.53	1295.56	1296.59	nm	
Center Wavelength Lane 1	λ_1	1299.02	1300.05	1301.09	nm	
Center Wavelength Lane 2	λ_2	1303.54	1304.58	1305.63	nm	
Center Wavelength Lane 3	λ_3	1308.09	1309.14	1310.19	nm	
Average Rx Power per Lane, 100GE	P _{RX_LANE}	-20.9	-	4.5	dBm	2
OMA Sensitivity per Lane, 100GE	P _{OMA_LANE}	-	-	-21.4	dBm	2
Average Rx Power per Lane, OTU4	P _{RX_AVE_LANE}	-20.9	-	4.5	dBm	3
Sensitivity per Lane, OTU4	P _{OMA_LANE}	-	-	-21.4	dBm	3
Receiver Overload	P _{IN-OL}	4.5	-	-	dBm	
Reflectance	Ref	-	-	-26	dB	
LOS Assert per lane	LOSA	-40	-	-	dBm	
LOS De-assert	LOSD	-	-	-25	dBm	
LOS Hysteresis	LOSH	0.5	-	6.0	dB	

Notes:

1. The optical power is launched into SMF.
2. Measured with a PRBS 2³¹-1 test pattern @25.78125 Gb/s.

Shenzhen Opway Communication Co., Ltd.

3. Measured with a PRBS 2³¹-1 test pattern @27.952 Gb/s

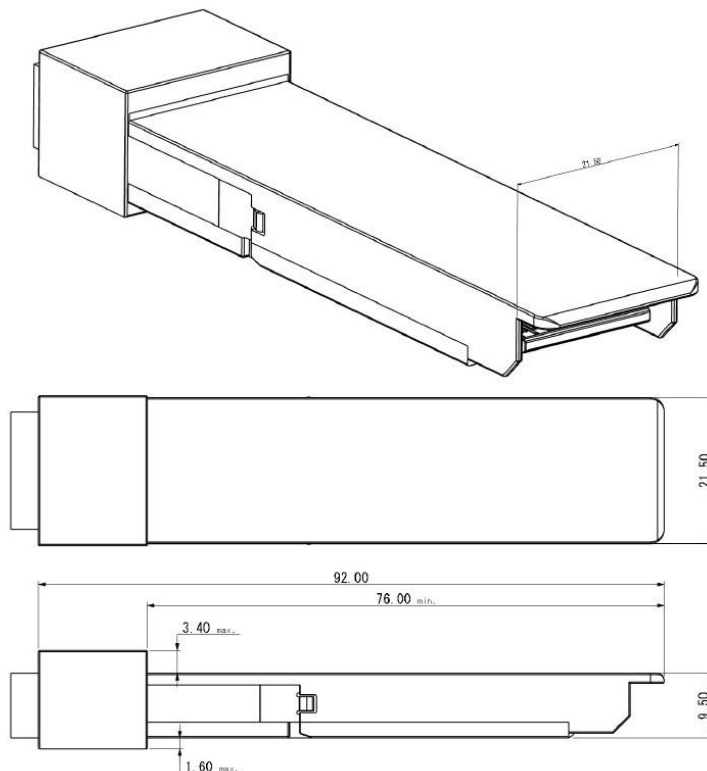
Electrical Characteristics

High-Speed Signal: Compliant to CAUI-4 (IEEE 802.3bm)

Low-Speed Signal: Compliant to CFP MSA Hardware Specification v1.4

Parameter	Symbol	Min.	Typical	Max.	Unit	Notes
Transmitter (Module Input)						
Differential Data Input Amplitude	VIN,P-P	95	-	900	mVpp	
Differential Termination Mismatch		-	-	10	%	
Tx_Disable	Normal Operation	VIL	-0.3	0.8	V	
	Laser Disable	VIH	2.0	V _{CC} +0.3	V	
Receiver (Module Output)						
Differential Data Output Amplitude	VOUT,P-P	228	-	900	mVpp	
Differential Termination Mismatch		-	-	10	%	
Output Rise/Fall Time, 20%~80%	TR	12	-	-	ps	
Rx_LOS	Normal Operation	VOL	-	0.2	V	
	Lose Signal	VOH	V _{CC} -0.2	-	V	

Mechanical Dimension



Digital Diagnostics

Shenzhen Opway Communication Co., Ltd.

3F, Building 5, Section 2, Baiwangxin High-tech Industrial Park, 1002 Songbai Rd.,
 Nanshan, Shenzhen, Guangdong, China 518000
 Tel: +86-755-86000306 Fax: +86-755-86000825
 E-mail: info@opwaytech.com <http://www.opwaytech.com>

Parameter	Range	Accuracy	Unit	Calibration
Temperature	0 to 70	±3	°C	Internal
Voltage	0 to VCC	0.1	V	Internal
Tx Bias Current Per Lane	0 to 100	10%	mA	Internal
Tx Output Power Per Lane	-2.9 to 2.9	±3	dBm	Internal
Rx Power (Each Lane)	-21 to 5	±3	dBm	Internal

Warnings

Handling Precautions: This device is susceptible damaged as a result of electrostatic discharge (ESD). A static free environment is highly recommended. Follow guidelines according to proper ESD procedures.

Laser Safety: Radiation emitted by laser devices can be dangerous to human eyes. Avoid eye exposure to direct or indirect radiation.

OPWAY reserves the right to make changes to the products or information contained herein without notice. No liability is assumed as a result of their use or application. No rights under any patent accompany the sale of any such products or information.

Published by Shenzhen OPWAY Communication Co., Ltd.

Copyright © OPWAY

All Rights Reserved