

Features:

- ✧ Hot pluggable QSFP28 MSA form factor
- ✧ Compliant to IEEE 802.3ba 100GBASE-ER4
- ✧ Up to 40km reach for G.652 SMF with FEC
- ✧ Single +3.3V power supply
- ✧ Operating case temperature: 0~70°C

- ✧ Transmitter: cooled 4x25Gb/s LAN WDM EML TOSA (1295.56, 1300.05, 1304.58, 1309.14nm)
- ✧ Receiver: 4x25Gb/s APD ROSA
- ✧ 4x28G Electrical Serial Interface (CEI-28G-VSR)
- ✧ Maximum power consumption 4.5W
- ✧ Duplex LC receptacle
- ✧ RoHS-6 compliant

Applications:

- ✧ 100GBASE-ER4 Ethernet Links
- ✧ Infiniband QDR and DDR interconnects
- ✧ Client-side 100G Telecom connections

Part Number Ordering Information

| | |
|--------|--|
| OPQE40 | QSFP28 ER4 40km optical transceiver with full real-time digital diagnostic monitoring and pull tab |
|--------|--|

1. General Description

This product is a 100Gb/s transceiver module designed for optical communication applications compliant to 100GBASE-ER4 Lite standard. The module converts 4 input channels of 25Gb/s electrical data to 4 channels of LAN WDM optical signals and then multiplexes them into a single channel for 100Gb/s optical transmission. Reverse on the receiver side, the module de-multiplexes a 100Gb/s optical input into 4 channels of LAN WDM optical signals and then converts them to 4 output channels of electrical data.

The central wavelengths of the 4 LAN WDM channels are 1295.56, 1300.05, 1304.58 and 1309.14 nm as members of the LAN WDM wavelength grid defined in IEEE 802.3ba. The high performance cooled LAN WDM EA-DFB transmitters and high sensitivity APD receivers provide superior performance for 100Gigabit Ethernet applications up to 40km links with FEC.

The product is designed with form factor, optical/electrical connection and digital diagnostic interface according to the QSFP+ Multi-Source Agreement (MSA). It has been designed to meet the harshest external operating conditions including temperature, humidity and EMI interference.

2. Functional Description

The transceiver module receives 4 channels of 25Gb/s electrical data, which are processed by a 4- channel Clock and Data Recovery (CDR) IC that reshapes and reduces the jitter of each electrical signal. Subsequently, each of 4 EML laser driver IC's converts one of the 4 channels of electrical signals to an optical signal that is transmitted from one of the 4 cooled EML lasers which are packaged in the Transmitter Optical Sub-Assembly (TOSA). Each laser launches the optical signal in specific wavelength specified in IEEE802.3ba 100GBASE-ER4 requirements. These 4-lane optical signals will be optically multiplexed into a single fiber by a 4-to-1 optical WDM MUX. The optical output power of each channel is maintained constant

Shenzhen Opway Communication Co., Ltd.

by an automatic power control (APC) circuit. The transmitter output can be turned off by TX_DIS hardware signal and/or 2-wire serial interface.

The receiver receives 4-lane LAN WDM optical signals. The optical signals are de-multiplexed by a 1-to-4 optical DEMUX and each of the resulting 4 channels of optical signals is fed into one of the 4 receivers that are packaged into the Receiver Optical Sub-Assembly (ROSA). Each receiver converts the optical signal to an electrical signal. The regenerated electrical signals are retimed and de-jittered and amplified by the RX portion of the 4-channel CDR. The retimed 4-lane output electrical signals are compliant with CEI-28G-VSR interface requirements. In addition, each received optical signal is monitored by the DOM section. The monitored value is reported through the 2-wire serial interface. If one or more received optical signal is weaker than the threshold level, RX_LOS hardware alarm will be triggered.

A single +3.3V power supply is required to power up this product. Both power supply pins VccTx and VccRx are internally connected and should be applied concurrently. As per MSA specifications the module offers 7 low speed hardware control pins (including the 2-wire serial interface): ModSelL, SCL, SDA, ResetL, LPMode, ModPrsL and IntL.

Module Select (ModSelL) is an input pin. When held low by the host, this product responds to 2-wire serial communication commands. The ModSelL allows the use of this product on a single 2-wire interface bus – individual ModSelL lines must be used.

Serial Clock (SCL) and Serial Data (SDA) are required for the 2-wire serial bus communication interface and enable the host to access the QSFP28 memory map.

The ResetL pin enables a complete reset, returning the settings to their default state, when a low level on the ResetL pin is held for longer than the minimum pulse length. During the execution of a reset the host shall disregard all status bits until it indicates a completion of the reset interrupt. The product indicates this by posting an IntL (Interrupt) signal with the Data_Not_Ready bit negated in the memory map. Note that on power up (including hot insertion) the module should post this completion of reset interrupt without requiring a reset.

Low Power Mode (LPMode) pin is used to set the maximum power consumption for the product in order to protect hosts that are not capable of cooling higher power modules, should such modules be accidentally inserted.

Module Present (ModPrsL) is a signal local to the host board which, in the absence of a product, is normally pulled up to the host Vcc. When the product is inserted into the connector, it completes the path to ground through a resistor on the host board and asserts the signal. ModPrsL then indicates its present by setting ModPrsL to a “Low” state.

Interrupt (IntL) is an output pin. “Low” indicates a possible operational fault or a status critical to the host system. The host identifies the source of the interrupt using the 2-wire serial interface. The IntL pin is an open collector output and must be pulled to the Host Vcc voltage on the Host board.

3. Transceiver Block Diagram

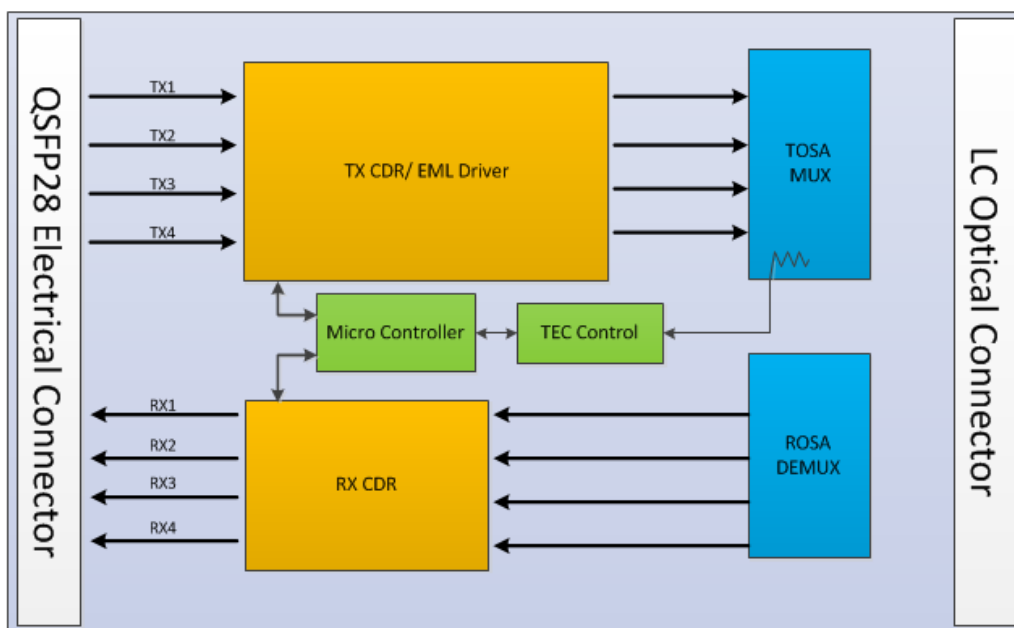


Figure 1. Transceiver Block Diagram

4. Pin Assignment and Description

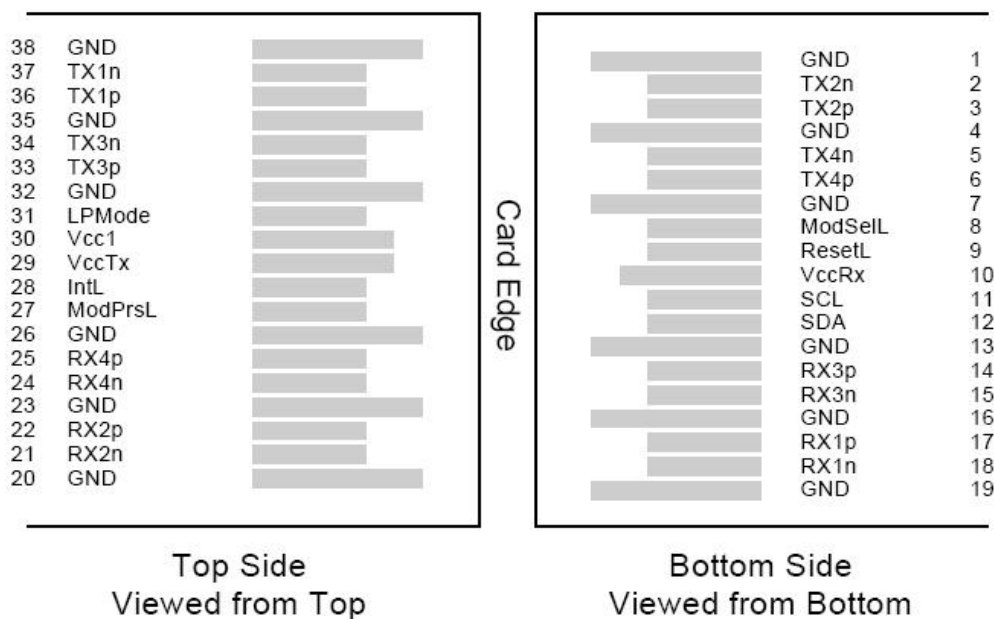


Figure 2. MSA Compliant Connector

Pin Definition

| PIN | Logic | Symbol | Name/Description | Notes |
|-----|-------------|---------|--------------------------------------|-------|
| 1 | | GND | Ground | 1 |
| 2 | CML-I | Tx2n | Transmitter Inverted Data Input | |
| 3 | CML-I | Tx2p | Transmitter Non-Inverted Data output | |
| 4 | | GND | Ground | 1 |
| 5 | CML-I | Tx4n | Transmitter Inverted Data Input | |
| 6 | CML-I | Tx4p | Transmitter Non-Inverted Data output | |
| 7 | | GND | Ground | 1 |
| 8 | LVTLL-I | ModSelL | Module Select | |
| 9 | LVTLL-I | ResetL | Module Reset | |
| 10 | | VccRx | +3.3V Power Supply Receiver | 2 |
| 11 | LVC MOS-I/O | SCL | 2-Wire Serial Interface Clock | |
| 12 | LVC MOS-I/O | SDA | 2-Wire Serial Interface Data | |
| 13 | | GND | Ground | |
| 14 | CML-O | Rx3p | Receiver Non-Inverted Data Output | |
| 15 | CML-O | Rx3n | Receiver Inverted Data Output | |
| 16 | | GND | Ground | 1 |
| 17 | CML-O | Rx1p | Receiver Non-Inverted Data Output | |
| 18 | CML-O | Rx1n | Receiver Inverted Data Output | |
| 19 | | GND | Ground | 1 |
| 20 | | GND | Ground | 1 |
| 21 | CML-O | Rx2n | Receiver Inverted Data Output | |
| 22 | CML-O | Rx2p | Receiver Non-Inverted Data Output | |
| 23 | | GND | Ground | 1 |
| 24 | CML-O | Rx4n | Receiver Inverted Data Output | 1 |
| 25 | CML-O | Rx4p | Receiver Non-Inverted Data Output | |
| 26 | | GND | Ground | 1 |
| 27 | LVTTL-O | ModPrsL | Module Present | |
| 28 | LVTTL-O | IntL | Interrupt | |
| 29 | | VccTx | +3.3 V Power Supply transmitter | 2 |
| 30 | | Vcc1 | +3.3 V Power Supply | 2 |
| 31 | LVTTL-I | LPMODE | Low Power Mode | |
| 32 | | GND | Ground | 1 |
| 33 | CML-I | Tx3p | Transmitter Non-Inverted Data Input | |
| 34 | CML-I | Tx3n | Transmitter Inverted Data Output | |
| 35 | | GND | Ground | 1 |
| 36 | CML-I | Tx1p | Transmitter Non-Inverted Data Input | |
| 37 | CML-I | Tx1n | Transmitter Inverted Data Output | |
| 38 | | GND | Ground | 1 |

Notes:

1. GND is the symbol for signal and supply (power) common for the QSFP28 module. All are common within

Shenzhen Opway Communication Co., Ltd.

3F, Building 5, Section 2, Baiwangxin High-tech Industrial Park, 1002 Songbai Rd

Nanshan, Shenzhen, Guangdong, China 518000

Tel: +86-755-86000306

Fax: +86-755-86000825

E-mail: info@opwaytech.com

http://www.opwaytech.com

8. Electrical Characteristics

The following electrical characteristics are defined over the Recommended Operating Environment unless otherwise specified.

| Parameter | Symbol | Min | Typical | Max | Units | Notes |
|--|-----------------|-------------------------------------|---------|--------------------------------|-------|---------|
| Power Consumption | | | | 4.5 | W | |
| Supply Current | I _{cc} | | | 1.36 | A | |
| Transceiver Power-on Initialization Time | | | | 2000 | ms | |
| Transmitter (each Lane) | | | | | | |
| Overload Differential Voltage pk-pk | TP1a | 900 | | | mV | |
| Common Mode Voltage (V _{cm}) | TP1 | -350 | | 2850 | mV | 2 |
| Differential Termination Resistance Mismatch | TP1 | | | 10 | % | At 1MHz |
| Differential Return Loss (SDD11) | TP1 | | | See CEI-28G-VSR equation 13-19 | dB | |
| Common Mode to Differential conversion and Differential to Common Mode conversion (SDC11, SCD11) | TP1 | | | See CEI-28G-VSR equation 13-20 | dB | |
| Stressed Input Test | TP1a | See CEI-28G-VSR Section 13.3.11.2.1 | | | | |
| Receiver (each Lane) | | | | | | |
| Differential Voltage, pk-pk | TP4 | | | 900 | mV | |
| Common Mode Voltage (V _{cm}) | TP4 | -350 | | 2850 | mV | 2 |
| Common Mode Noise, RMS | TP4 | | | 17.5 | mV | |
| Differential Termination Resistance Mismatch | TP4 | | | 10 | % | At 1MHz |
| Differential Return Loss (SDD22) | TP4 | | | See CEI-28G-VSR equation 13-19 | dB | |
| Common Mode to Differential conversion and Differential to Common Mode conversion (SDC22, SCD22) | TP4 | | | See CEI-28G-VSR equation 13-21 | dB | |
| Common Mode Return Loss (SCC22) | TP4 | | | -2 | dB | 3 |
| Transition Time, 20 to 80% | TP4 | 9.5 | | | ps | |
| Vertical Eye Closure (VEC) | TP4 | | | 5.5 | dB | |

Shenzhen Opway Communication Co., Ltd.

| | | | | | | |
|--|-----|------|--|--|----|--|
| Eye Width at 10-15 probability (EW15) | TP4 | 0.57 | | | UI | |
| Eye Height at 10-15 probability (EH15) | TP4 | 228 | | | mV | |

Notes:

1. Power-on Initialization Time is the time from when the power supply voltages reach and remain above the minimum recommended operating supply voltages to the time when the module is fully functional.
2. Vcm is generated by the host. Specification includes effects of ground offset voltage.
3. From 250MHz to 30GHz.

9. Optical Characteristics

| Transmitter | | | | | | |
|--|-----------------------------|---------|---------|---------|-------|-------|
| Parameter | Symbol | Min. | Typical | Max. | Unit | Notes |
| Center Wavelength Lane 0 | λ_0 | 1294.53 | 1295.56 | 1296.59 | nm | |
| Center Wavelength Lane 1 | λ_1 | 1299.02 | 1300.05 | 1301.09 | nm | |
| Center Wavelength Lane 2 | λ_2 | 1303.54 | 1304.58 | 1305.63 | nm | |
| Center Wavelength Lane 3 | λ_3 | 1308.09 | 1309.14 | 1310.19 | nm | |
| Total Launch Power | P _{ALL} | - | - | 10.5 | dBm | 1 |
| Average Launch Power per Lane | P _{TX_LANE} | -4.3 | - | 4.5 | dBm | 1 |
| Transmit OMA per Lane | TxOMA | -2.9 | - | 4.5 | dBm | 1 |
| Difference in launch power between lanes | P _{TX_DELTA_LANE} | - | - | 5 | dB | |
| Average Output Power (Laser Turn off) | P _{OUT-OFF} | - | - | -30 | dBm | |
| Side Mode Suppression Ratio | SMSR | 30 | - | - | dB | |
| Extinction Ratio | ER | 7 | - | - | dB | |
| Transmitter and Dispersion Penalty | TDP | - | - | 2.2 | dB | 2 |
| Optical Return Loss Tolerance | ORLT | - | - | 20 | dB | |
| RIN20OMA | RIN | | | -130 | dB/Hz | |
| Optical Eye Mask | Compliant with IEEE 802.3ba | | | | | 2 |
| Receiver | | | | | | |
| Center Wavelength Lane 0 | λ_0 | 1294.53 | 1295.56 | 1296.59 | nm | |
| Center Wavelength Lane 1 | λ_1 | 1299.02 | 1300.05 | 1301.09 | nm | |
| Center Wavelength Lane 2 | λ_2 | 1303.54 | 1304.58 | 1305.63 | nm | |
| Center Wavelength Lane 3 | λ_3 | 1308.09 | 1309.14 | 1310.19 | nm | |
| Average Rx Power per Lane@30KM | P _{RX_LANE} | -16.9 | | -4.9 | dBm | 2 |
| Average Rx Power, each Lane @40km | P _{RX_LANE} | -20.9 | | -4.9 | dBm | |
| Receive Power (OMA), each Lane | Se _{OMA} | -21.5 | - | -1.9 | dBm | 2 |

Shenzhen Opway Communication Co., Ltd.

| | | | | | | |
|---|------------------|-----|-----|-----|-----|--|
| Difference in Receive Power between any Two Lanes (OMA) | | - | - | 5.5 | dB | |
| Reflectance | Ref | - | - | -26 | dB | |
| LOS Assert per lane | LOS _A | - | -26 | - | dBm | |
| LOS De-assert | LOS _D | - | -24 | - | dBm | |
| LOS Hysteresis | LOS _H | 0.5 | - | - | dB | |

Notes:

1. Even if the TDP < 1 dB, the OMA min must exceed the minimum value specified here.
2. See Figure 4 below.
3. The receiver shall be able to tolerate, without damage, continuous exposure to a modulated optical input signal having this power level on one lane. The receiver does not have to operate correctly at this input power.
4. Measured with conformance test signal for BER = 10⁻¹².
5. Vertical eye closure penalty and stressed eye jitter are test conditions for measuring stressed receiver sensitivity. They are not characteristics of the receiver.

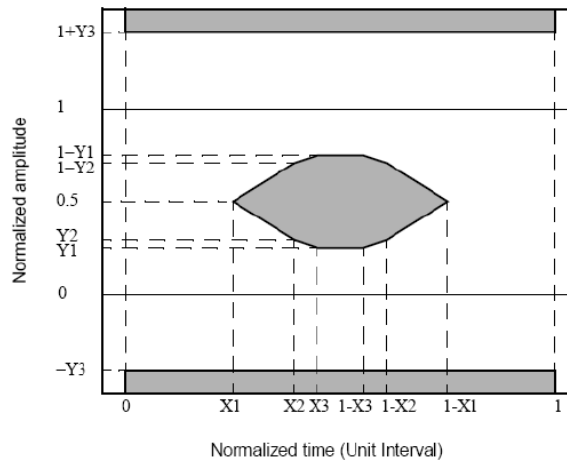


Figure 4. Eye Mask Definition

10. Digital Diagnostic Functions

The following digital diagnostic characteristics are defined over the normal operating conditions unless otherwise specified.

| Parameter | Symbol | Min | Max | Units | Notes |
|---|--------------|------|-----|-------|----------------------------------|
| Temperature monitor absolute error | DMI_Temp | -3 | +3 | degC | Over operating temperature range |
| Supply voltage monitor absolute error | DMI_VCC | -0.1 | 0.1 | V | Over full operating range |
| Channel RX power monitor absolute error | DMI_RX_Ch | -2 | 2 | dB | 1 |
| Channel Bias current monitor | DMI_Ibias_Ch | -10% | 10% | mA | |
| Channel TX power monitor absolute error | DMI_TX_Ch | -2 | 2 | dB | 1 |

Notes:

1. Due to measurement accuracy of different single mode fibers, there could be an additional +/-1 dB fluctuation, or a +/- 3 dB total accuracy.

11. Mechanical Dimensions

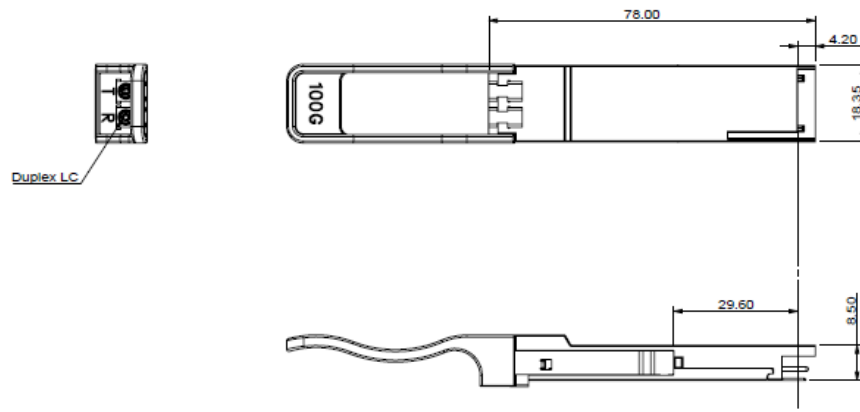


Figure 5. Mechanical Outline

12. ESD

This transceiver is specified as ESD threshold 1kV for SFI pins and 2kV for all other electrical input pins, tested per MIL-STD-883, Method 3015.4 /JESD22-A114-A (HBM). However, normal ESD precautions are still required during the handling of this module. This transceiver is shipped in ESD protective packaging. It should be removed from the packaging and handled only in an ESD protected environment.

13. Laser Safety

This is a Class 1 Laser Product according to EN 60825-1:2014. This product complies with 21 CFR 1040.10 and 1040.11 except for deviations pursuant to Laser Notice No. 50, dated (June 24, 2007).

Caution: Use of controls or adjustments or performance of procedures other than those specified herein may result in hazardous radiation exposure.

Shenzhen Opway Communication Co., Ltd.

OPWAY reserves the right to make changes to the products or information contained herein without notice. No liability is assumed as a result of their use or application. No rights under any patent accompany the sale of any such products or information.

Published by Shenzhen OPWAY Communication Co., Ltd.

Copyright © OPWAY

All Rights Reserved