



- ✧ 100GHz ITU Grid, C Band
- ✧ Up to 10km on 9/125m SMF
- ✧ 2-wire interface for management specifications compliant with SFF 8472 digital diagnostic monitoring interface for optical transceivers
- ✧ Power Supply :+3.3V
- ✧ Operating case temperature Range: 0~70°C
- ✧ RoHS compliant

**Features:**

- ✧ UP to 25.78Gb/s data links
- ✧ Hot-Pluggable SFP28 footprint
- ✧ Duplex LC connector
- ✧ DWDM EML laser transmitter
- ✧ PIN receiver

**Applications:**

- ✧ 25GE LR
- ✧ Data center

**Part Number Ordering Information**

OP3010D-DXX	SFP28 LR 10km 100GHz DWDM optical transceiver with full real-time digital diagnostic monitoring , 0~70°C ,25GE
-------------	--

**Description:**

OPWAY's OP3010D-DXX SFP28 transceivers are designed for use in Ethernet links up to 25.78 Gb/s data rate and up to 10 km link length. They are compliant SFF-8472 , and compatible with SFF-8432 and applicable portions of SFF-8431. The product is RoHS compliant and lead-free per Directive 2011/96/EU.

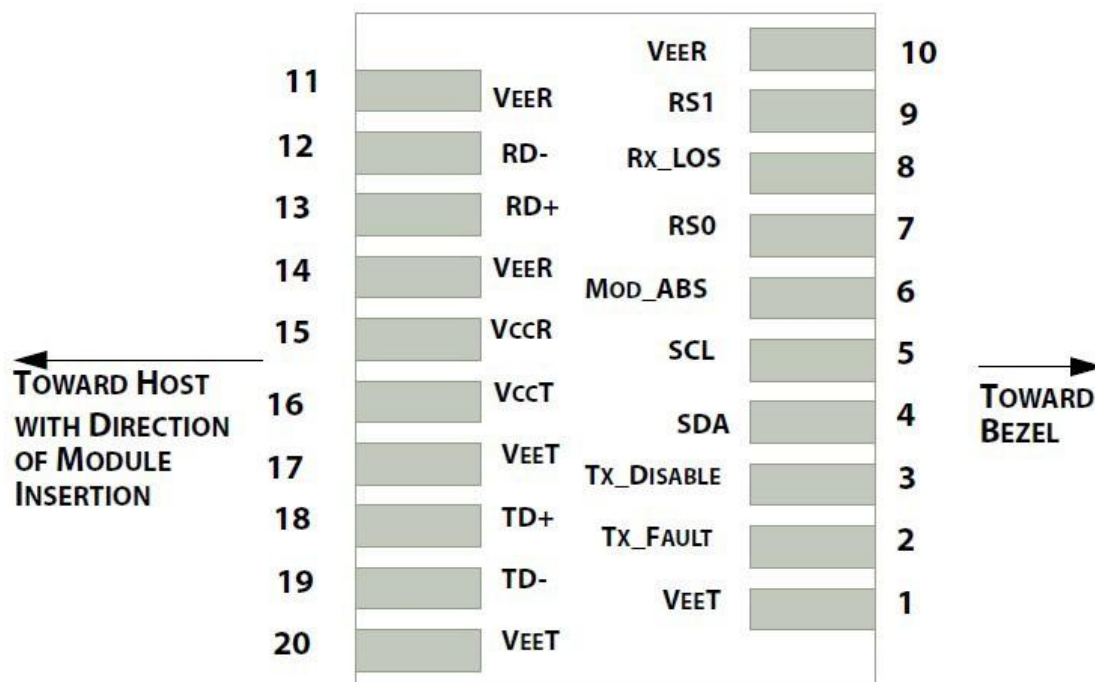
● **Pin Function Definitions**

PIN #	Name	Function	Notes
1	VeeT	Module transmitter ground	1
2	Fault	Module transmitter Fault	2
3	Disable	Transmitter Disable; Turns off transmitter laser output	3
4	SDL	2 wire serial interface data input/output (SDA)	4
5	SCL	2 wire serial interface clock input (SCL)	4
6	MOD-ABS	Module Absent, connect to VeeR or VeeT in the module	2
7	RS0	Rate select0: module inputs and are pulled low to VeeT with > 30 kΩ resistors in the module.	
8	LOS	Receiver Loss of Signal Indication	
9	RS1	Rate select1: module inputs and are pulled low to VeeT with >	

		30 kΩ resistors in the module.	
10	VeeR	Module receiver ground	1
11	VeeR	Module receiver ground	1
12	RD-	Receiver inverted data out put	
13	RD+	Receiver non-inverted data out put	
14	VeeR	Module receiver ground	1
15	VccR	Module receiver 3.3V supply	
16	VccT	Module transmitter 3.3V supply	
17	VeeT	Module transmitter ground	1
18	TD+	Transmitter non-inverted data out put	
19	TD-	Transmitter inverted data out put	
20	VeeT	Module transmitter ground	1

Note:

1. The module ground pins shall be isolated from the module case.
2. This pin is an open collector/drain output pin and shall be pulled up with 4.7K-10Kohms to Host\_Vcc on the host board.
3. This pin shall be pulled up with 4.7K-10Kohms to VccT in the module.
4. This pin is an open collector/drain output pin and shall be pulled up with 4.7K-10Kohms to Host\_Vcc on the host board.



**Diagram of Host Board Connector Block Pin Numbers and Names**

● **Absolute Maximum Ratings**

Parameter	Symbol	Min.	Typical	Max.	Unit
Storage Temperature	T <sub>S</sub>	-40		+85	°C
Case Operating Temperature	T <sub>A</sub>	0		+70	°C
Maximum Supply Voltage	Vcc	0		3.6	V
Relative Humidity(Non-condensing)	RH	0		85	%

## ● Electrical Characteristics

Parameter	Symbol	Min.	Typical	Max.	Unit	Note
Supply Voltage	V <sub>cc</sub>	3.15		3.46	V	
Supply Current	I <sub>cc</sub>			600	mA	
Power Consumption	P			2	W	
Data Rate	R	-	25.8		Gb/s	
Fiber Length	L			10	KM	
<b>Transmitter Section:</b>						
Input differential impedance	R <sub>in</sub>		100		Ω	1
Differential input voltage swing	V <sub>in,pp</sub>	125		450	mV	2
Transmit Disable Voltage	V <sub>D</sub>	2		V <sub>cc</sub>	V	3
Transmit Enable Voltage	V <sub>EN</sub>	V <sub>ee</sub>		V <sub>ee</sub> +0.8	V	
<b>Receiver Section:</b>						
Single Ended Output Voltage Tolerance	V	-0.3		4	V	
Rx Output Diff Voltage	V <sub>o</sub>	185		425	mV	
LOS Fault	V <sub>LOS fault</sub>	2		V <sub>CCHOST</sub>	V	4
LOS Normal	V <sub>LOS norm</sub>	V <sub>ee</sub>		V <sub>ee</sub> +0.8	V	4

Note:

1. Connected directly to TX data input pins. AC coupling from pins into laser driver IC.
2. Per SFF-8431 Rev 3.0
3. Into 100 ohms differential termination.
4. LOS is an open collector output. Should be pulled up with 4.7k – 10kΩ on the host board. Normal operation is logic 0; loss of signal is logic 1. Maximum pull-up voltage is 5.5V.

## ● Optical Characteristics

Parameter	Symbol	Min.	Typical	Max.	Unit	Note
<b>Transmitter Section:</b>						
Optical Wavelength-End Of Life	λ	X-100	X	X+100	pm	
Optical Wavelength-Beginning Of Life	λ	X-25	X	X+25	pm	
spectral width(-20dB)	Δλ			1	nm	
Average Optical Power	P <sub>avg</sub>	-3		+6.0	dBm	
Laser Off Power	P <sub>off</sub>			-30	dBm	
Side Mode Suppression Ratio		30				
Extinction Ratio	ER	4			dB	
Optical Return Loss Tolerance				-12	dB	
<b>Receiver Section:</b>						
Center Wavelength	λ <sub>r</sub>	1260		1370	nm	
Receiver Sensitivity	Sen			-12.0	dBm	1
Los Assert	LOS <sub>A</sub>	-30			dBm	
Los Dessert	LOS <sub>D</sub>			-13	dBm	

## Shenzhen Opway Communication Co., Ltd.

Los Hysteresis	LOS <sub>H</sub>	0.5			dB	
Overload		2			dBm	

Note:

1. Measured with a PRBS 2<sup>31</sup>-1 test pattern, @25.78Gb/s, BER<5E-5.

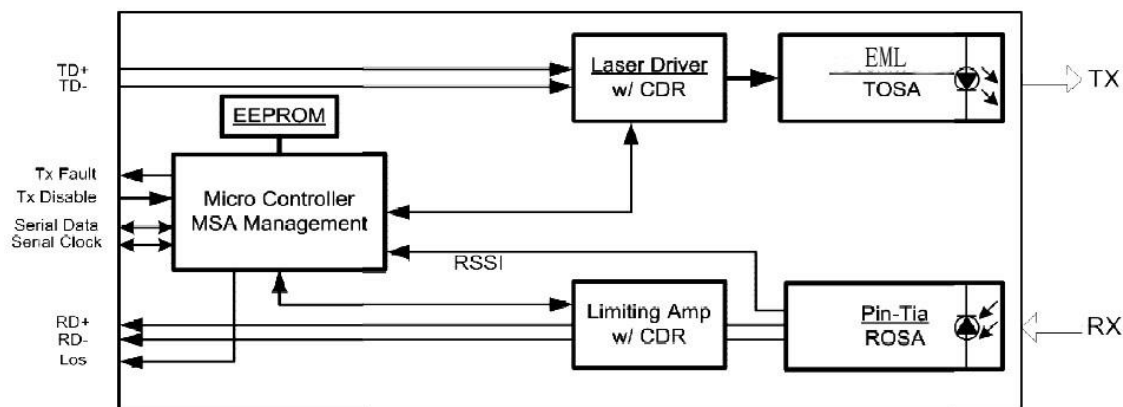
## ● Timing Characteristics

Parameter	Symbol	Min.	Typical	Max.	Unit
TX_Disable Assert Time	t <sub>off</sub>			100	us
TX_Disable Negate Time	t <sub>on</sub>			2	ms
Time to Initialize 2-wire interface	t <sub>2w_start_up</sub>			300	ms
Time to Initialize	t <sub>start_up</sub>			300	ms
Time to Initialize cooled module and time to power up a cooled module to Power level II	t <sub>start_up_cooled</sub>			90	s
Time to Power Up to Level II	t <sub>power_level2</sub>			300	ms
Time to Power Down from Level II	t <sub>power_down</sub>			300	ms
Tx_Fault assert	Tx_Fault_on			1	ms
Tx_Fault assert for cooled module	Tx_Fault_on_cooled			50	ms
TX_FAULT Reset	t <sub>reset</sub>	10			us
Rx_LOS assert delay	t <sub>los_on</sub>			100	us
Rx_LOS negate delay	t <sub>los_off</sub>			100	us

## ● Digital Diagnostic Specifications

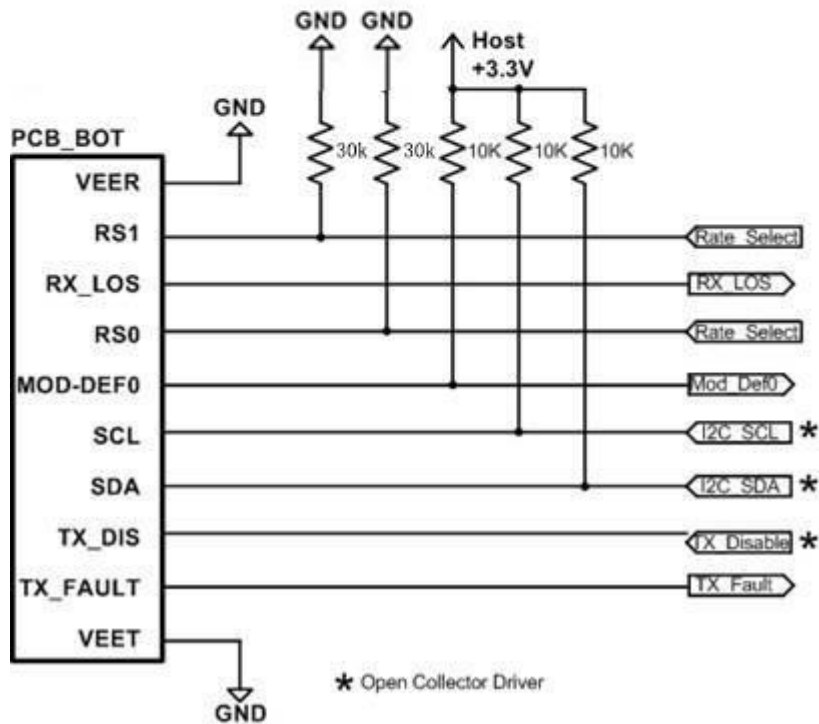
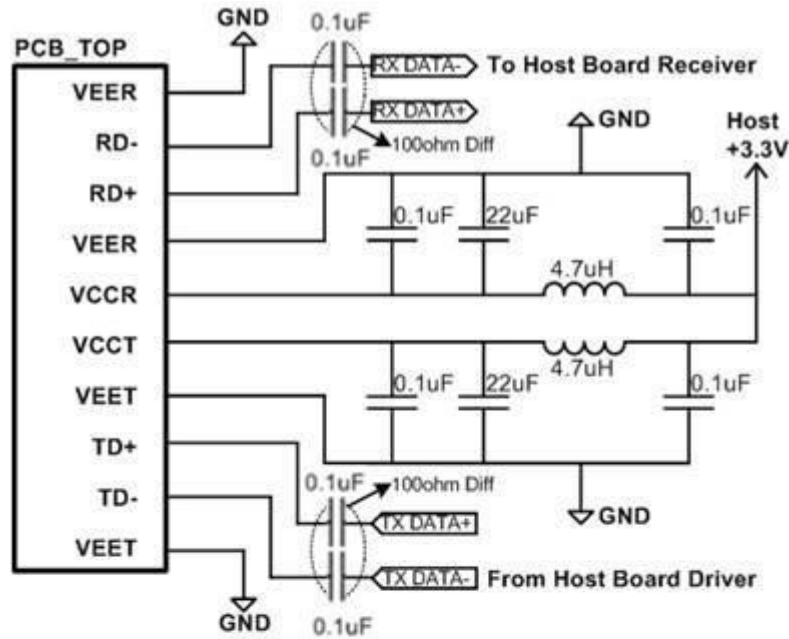
Parameter	Symbol	Units	Min	Max	Accuracy
Transceiver Temperature	Temp	°C	0	+70	±5°C
Transceiver Supply Voltage	Voltage	V	3.15	3.45	±3%
Transmitter Bias Current	Bias	mA	0	35	±10%
Transmitter Output Power	Tx-Power	dBm	-3	+6	±3dB
Receiver Average Optical Input Power	Rx-Power	dBm	-12	+1	±3dB

## ● Transceiver Block Diagram



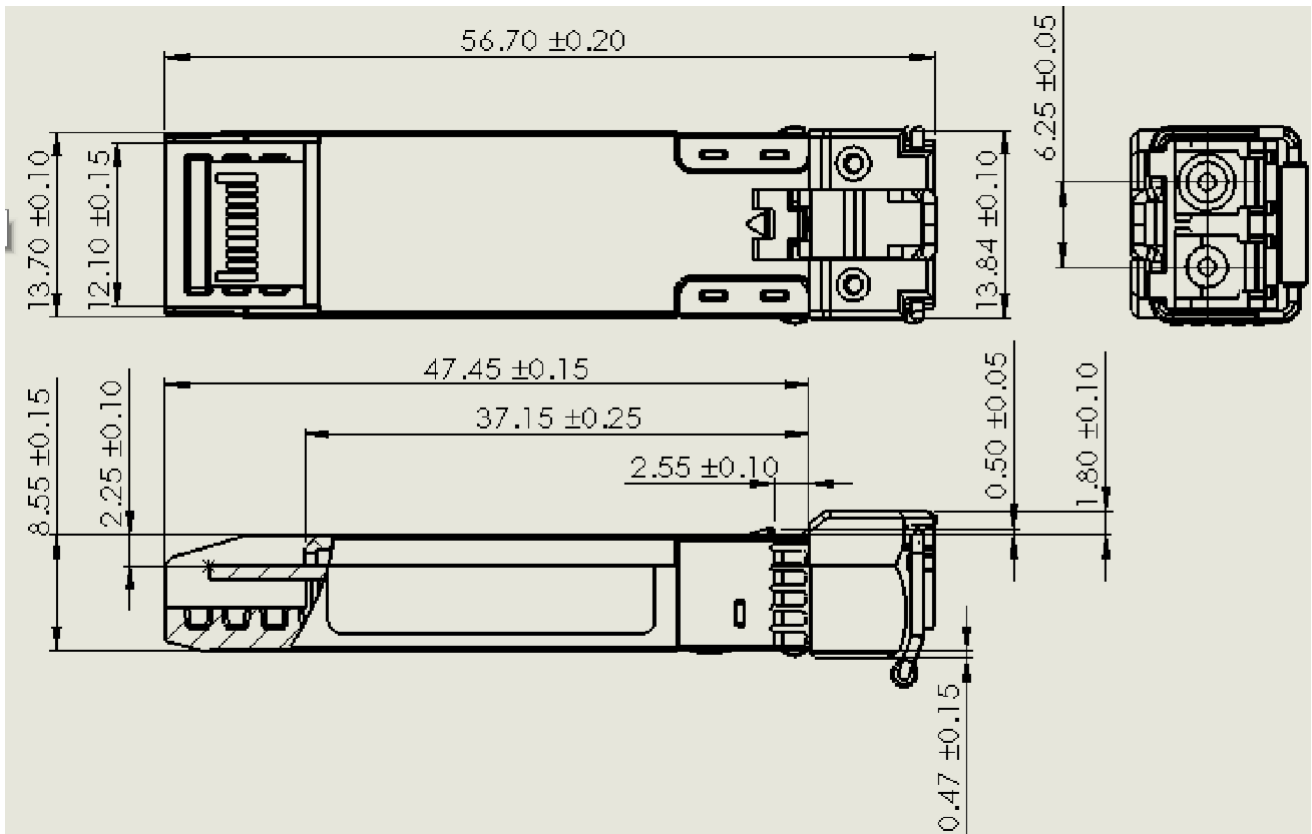
## ● Recommended Circuit:

### Shenzhen Opway Communication Co., Ltd.



**Recommended High-speed Interface Circuit**

● **Mechanical Dimensions:**



Published by Shenzhen OPWAY Communication Co., Ltd.  
Copyright © OPWAY  
All Rights Reserved